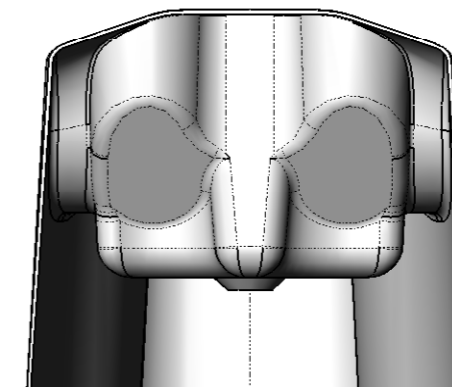


A-A (1 : 10)



REVISIONS		
REV	DESCRIPTION	DATE
A	RELEASE	29/01/2008

Specialist Washing Co.



The Specialist Washing Company Limited
 PO Box 541, Egham, Surrey. TW20 0WN
 www.specwash.com

THIS DOCUMENT CONTAINS PROPRIETARY DATA OF THE SPECIALIST WASHING COMPANY LIMITED. NO DISCLOSURE, REPRODUCTION OR USE MAY BE MADE OF ANY PART THEREOF WITHOUT WRITTEN PERMISSION.

TOLERANCES

X.XX +/-0.15 ANGULAR +/-1
 X.X +/-0.5
 X +/-1.0

UNLESS OTHERWISE STATED ALL DIMENSIONS IN mm

Drawn by D JONES	Checked	Sheet 1 of 1
	Size A3	Scale 1:1
	Date 28/01/2008	

MATERIAL
ACRYLIC

FINISH
GLOSS

Title
WUDUSEAT

Drawing Number
10001